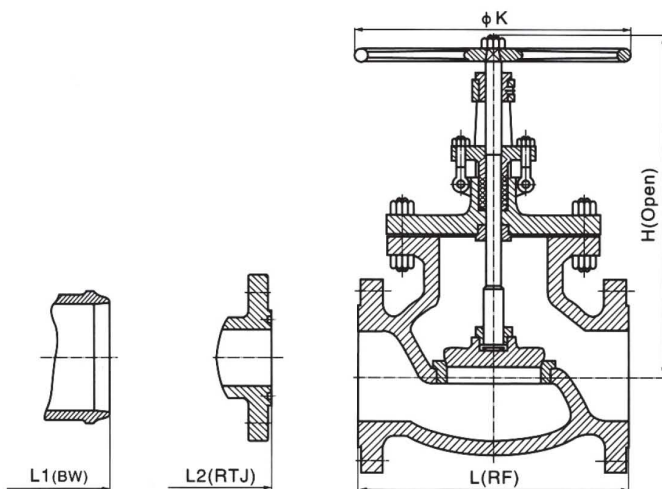


Class 150-1500 cast steel globe valve



Dimensions													
Class 150													
Size	inch	2	2½	3	4	5	6	8	10	12	14	16	18
L,L1-RF,BW	mm	203	216	241	292	356	406	495	622	698	787	914	978
L2-RTJ	mm	216	229	254	305	368	419	508	635	711	800	927	991
H	mm	330	390	410	475	540	585	725	825	940	1200	1270	1300
K	mm	200	250	250	300	350	350	450	500	600	600	650	650
WT	Kg	23	29	40	59	95	115	178	268	385	540	760	1050

Dimensions													
Class 300													
Size	inch	2	2½	3	4	5	6	8	10	12	14	16	
L,L1-RF,BW	mm	267	292	318	356	400	444	559	622	711	838	863	
L2-RTJ	mm	283	308	333	371	416	460	575	638	727	854	879	
H	mm	350	425	485	520	565	655	825	920	1155	1250	1295	
K	mm	200	250	300	300	350	350	500	600	700	700	450*	
WT	Kg	30	45	60	83	135	162	265	375	525	765	1100	

Dimensions										
Class 600										
Size	inch	2	2½	3	4	5	6	8	10	
L,L1-RF,BW	mm	292	330	356	432	508	559	660	787	
L2-RTJ	mm	295	333	359	435	511	562	664	791	
H	mm	420	490	550	590	620	700	950	1140	
K	mm	250	300	300	350	500	500	600	600	
WT	Kg	39	61	76	122	210	245	447	692	

Dimensions								
Class 900								
Size	inch	2	2½	3	4	5	6	8
L,L1-RF,BW	mm	368	419	381	457	559	610	737
L2-RTJ	mm	371	422	384	460	562	613	740
H	mm	495	540	600	655	670	780	1050
K	mm	300	350	350	500	500	350*	350*
WT	Kg	96	79	117	178	305	355	730

Dimensions						
Class 1500						
Size	inch	2	2½	3	4	6
L,L1-RF,BW	mm	368	419	470	546	705
L2-RTJ	mm	371	422	473	549	711
H	mm	550	580	625	750	925
K	mm	300	350	400	450	600
WT	Kg	116	125	145	210	475

Gear operation suggested. Dimensions on request.