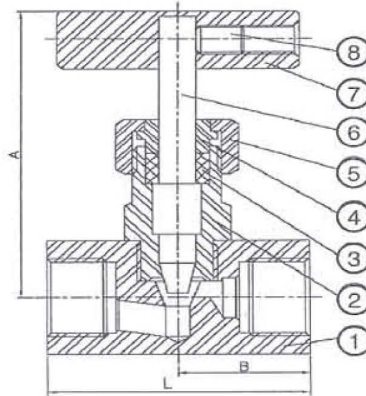
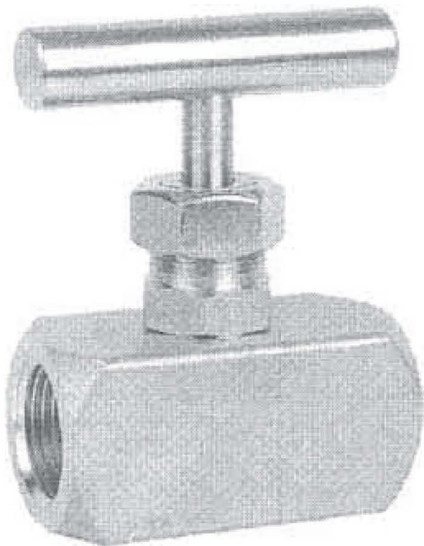


Needle Valve



FEATURES & SPECIFICATIONS:

- * T-Handle operation
- * Screwed-In Bonnet
- * Connecting Thread: ANSI B2.1
BS21
DIN
- * Working Pressure : 6000 psi

MATERIALS LIST

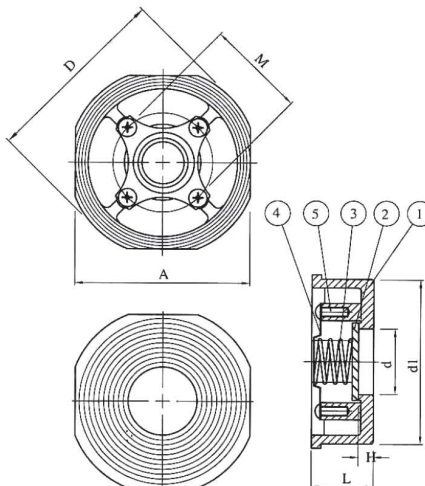
NO	PART NAME	MATERIAL	QTY
1	BODY	ASTM A351 GR.CF8M / ASTM	1
2	BONNET	A105	1
3	PACKING	PTFE	1 SET
4	GLAND	SS304	1
5	GLAND NUT	SS316	1
6	STEM PACKING	SS410	1
7	HANDLE	SS304	1
8	SET SCREW	SS304	1

DIMENSIONS (mm)

SIZE	1/8"	1/4"	3/8"	1/2"	3/4"	1"
A	75	75	75	87	90	103
B	29	29	29	32.5	35	40
L	58	58	58	65	70	80

BT-WC

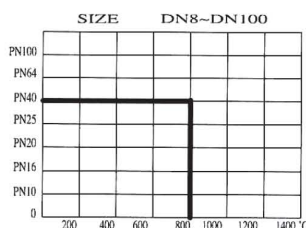
Size : DN15 - DN100



1-PC WAFER DISC CHECK VALVE INVESTMENT CASTING

UNIT : mm

DN	SIZE	d	d1	A	D	L	M	H	KGS WEIGHT
15	1/2	15	43	45	53	16.5	27.7	4.4	0.12
20	3/4	20	53	55	63	19.5	34.2	4.8	0.20
25	1"	25.4	63	65	73	22	39.4	5.4	0.30
32	1-1/4	30	75	78	84	28	43.7	6.0	0.40
40	1-1/2	38	86	88	94	32	54.0	6.6	0.60
50	2"	47	96	98	107	40	63.5	7.1	0.80
65	2-1/2	62.5	115	118	126	46	82.8	7.8	1.50
80	3"	77	130	134	144	50	98.8	8.4	1.90
100	4"	96	151	154	164	60	119.8	9.0	3.30



FEATURES:

- * Body in ASTM A351-CF8M
- * Trim in AISI 316
- * DISC in ASTM-A351-CF8M

MATERIAL LIST

ITEM	PART	MATERIAL	QTY
1	BODY	ASTM A351 CF8M	1
2	DISC	ASTM A351 CF8M	1
3	SPRING	AISI 316	1
4	CAP	AISI 304	1
5	SCREW	AISI 304	4