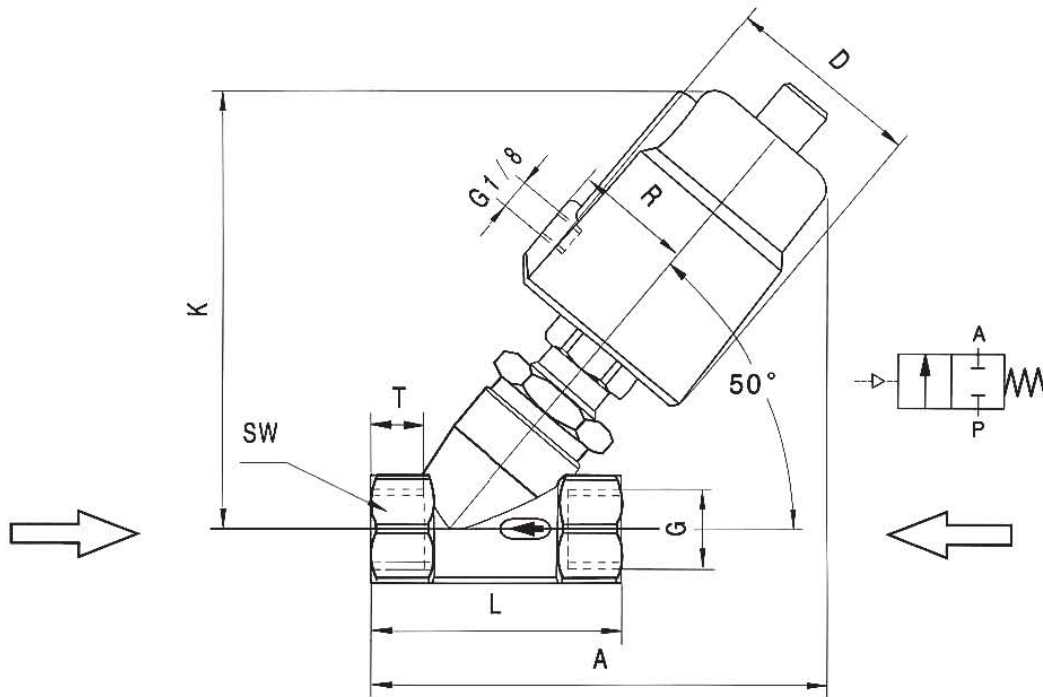


2/2-way externally controlled valve



Specifications

Joint Size(inch)	Inner Hole(\varnothing mm)	Kv(m ³ /h)	Working Pressure(MPa)	Controlling Pressure(MPa)	Actuator(\varnothing mm)	Weight(kg)	Item No.
G1/2	13	4.70	0-1.6	0.3-0.8	50	1.3	100 104
G3/4	18	9.50	0-1.6	0.3-0.8	50	1.4	100 106
G1	24	18.10	0-1.6	0.3-0.8	50	1.7	100 108
G1	24	18.10	0-1.6	0.3-0.8	63	2.7	100 100
G1 1/4	31	23.10	0-1.6	0.3-0.8	63	3.2	100 110
G1 1/2	35	32.90	0-1.6	0.3-0.8	63	3.6	100 112
G2	45	52.80	0-1.6	0.3-0.8	63	4.9	100 116

Overall dimension (mm)

Joint Size(inch)	Actuator(\varnothing mm)	A	D	G	K	L	SW	R	T
G1/2	50	133	60	1/2"	126	68	26.6	35	15
G3/4	50	137	60	3/4"	131	75	32	35	16
G1	50	149	60	1"	140	90	39.5	35	17
G1	63	174	77	1"	165	90	39.5	43	17
G1 1/4	63	188	77	1 1/4"	175	116	50	43	21
G1 1/2	63	190	77	1 1/2"	178	120	55.3	43	20
G2	63	203	77	2"	184	138	70	43	22

Solenoid guide valve should be ordered separately