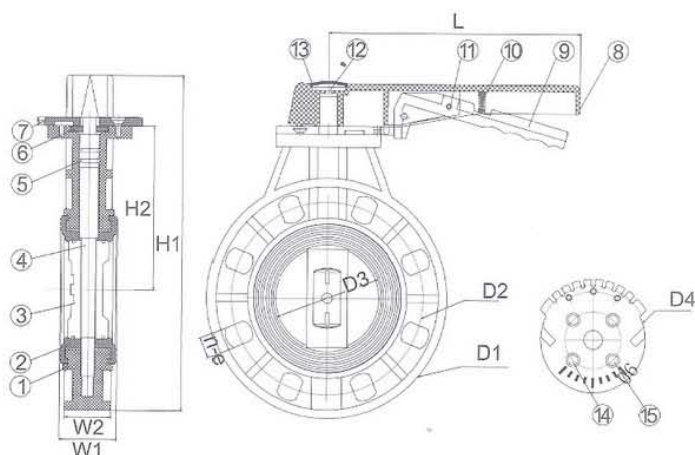


PLASTIC VALVES AND FITTINGS



ITEM NO:UBV01
 - SIZE:2 1/2"-8"
 - END CONNECTOR: FLANGE
 - WORKING PRESSURE:200PSI

BUTTERFLY VALVE

Specification of material

NO.	PART	MATERIAL	Q'TY
1	Body	U-PVC	1
2	Seat Seal	EPDM、FPM(NBR)	1
3	Gate	U-PVC	1
4	Stem	SUS410	1
5	O-Ring	EPDM、FPM(NBR)	2
6	Washer	ABS	1
7	Locking Plate	U-PVC	1
8	Large Handle	ABS	1

NO.	PART	MATERIAL	Q'TY
9	Small Handle	ABS	1
10	Spring	SUS304	1
11	Pin	SUS304	1
12	Bolt	SUS304	1
13	Handle Cap	ABS	1
14	Insered Bolt	SUS304	4
15	Bolt cap	U-PVC	4

Dimensions

Size	Nom	Dimensions														
		D1	DIN D2	JIS D2	ANSI D2	D3	D4	L	H1	H2	W1	W2	DIN n-øe	JIS n-øe	ANSI n-øe	
50mm(2")		160.1	120	100	120.4	55.6	99.7	189.7	223.3	98.3	44	32	4-20	4-19	4-19	
65mm(2 1/2")		179.8	141.2	140	139.5	68.7	99.7	189.0	247.0	111.6	48.3	32.4	4-18	4-19	4-19	
80mm(3")		195.0	156.4	140	139.5	83.9	99.7	238.5	282.6	132.5	51.9	36.3	8-20	4-19	4-19	
100mm(4")		228.1	183	150	152.4	103.2	99.7	239.5	319.4	155.4	54.5	44.1	8-20	8-19	8-19	
125mm(5")		257	210.9	175	190.5	129.5	139	309.8	368	170.3	66.5	54.6	8-21.5	8-19	8-19	
150mm(6")		285.4	238.5	240	241.5	151.1	140.0	309.8	400.8	187.5	73.1	56.4	8-24	8-23	8-22	
200mm(8")		342.6	292.4	295	298.5	198.6	140.0	309.8	473.0	230.1	92.0	72.2	8-24	12-23	8-23	