

## 2W 2/2-WAY position Solenoid Valve

**2W** | **160** | **15** | **AC220V** | **V**

2 square orifice type | flow connection | 15 caliber | standard voltage | AC:110V | AC:220V | DC :24V | other special voltages

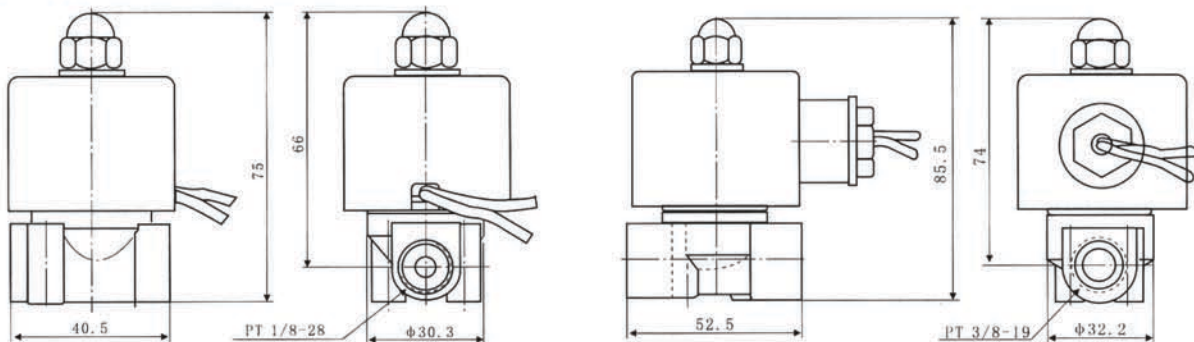
blank: : NBR  
V: used in high temperature



### STRUCTURE SPECIFICATION PARAMETER

Model	2W025-06	2W025-08	2W040-10	2W160-10	2W160-15	2W200-20	2W250-25	2W350-35	2W400-40	2W500-50
Symbol										
fluid	Air, Water, Oil, Gas									
operation way	Direct Action									
type	Normally closed									
diameter of flow	2.5	4	16	20	25	35	40	50		
cv value	0.23	0.6	4.8	7.6	12	24	29	48		
diameter of connection	1/8"	1/4"	3/8"	3/8"	1/2"	3/4"	1"	1 1/4"	1 1/2"	2"
fluid viscosity	Under 20CST									
using pressure	Water: 0~10 Air: 0~10 Oil: 0~5									
work temperature	-5~80°C									
voltage drop range	±10%									
material of body	SS304									
material of seal	VITON									

### CONTOUR SPECIFICATION CHART



2W025-06

2W040-10