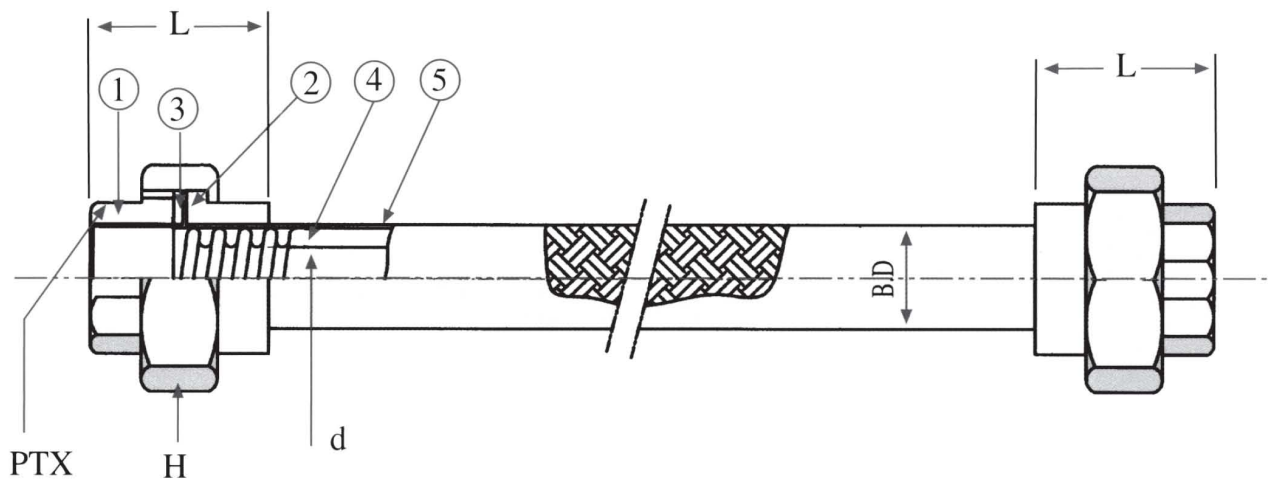


ACCESSORY TUBES

AFU 15-50 HB



CONSTRUCTION

ITEM	PART	MATERIAL
1	UNION	FCMB,SUS304,SS41
2	P-RING	SUS304
3	GASKET	CAF (TOMBO 1303)
4	TUBE	SUS304
5	BRAID	SUS304

- UNION COUPLING WELDED WITH TUBE.
- LENGTH AVAILABLE ON REQUEST.

SPECIFICATION

NOMINAL BORE		d	PTX	L	H	B D.
A	B					
15	1/2	13.5	PT 1/2	41	42	19.0
20	3/4	19.0	PT3/4	49	49	25.5
25	1	26.0	PT1	54	59	33.0
32	1-1/4	32.5	PT1-1/4	60	69	41.0
40	1-1/2	38.0	PT1-1/2	67	78	47.5
50	2	50.5	PT2	74	93	61.5