

1-PC BALL VALVE

Model: BT-1 R

Size: 1/4"~3" REDUCED BORE (800 PSI)

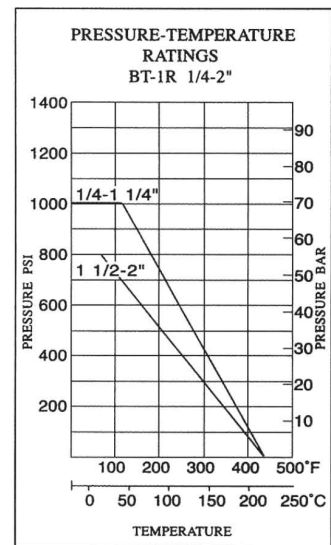
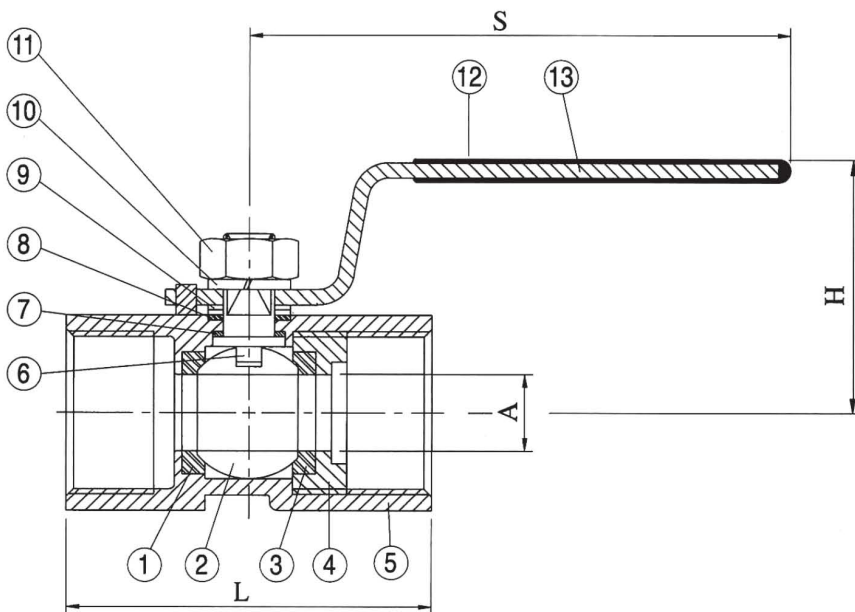


Threaded : BSPT. BSP. NPT. DIN2999

Materials : CF8M (SS316)

FEATURES:

- * Investment Casting Body
- * Working Pressure 800/1000 PSI For W.O.G.
- * Adjustable Stem Packing
- * Pure Teflon Seals And Seats
- * Temperature Range: -60 to 450°F
- * Blow-Out Proof Stem, And Safe Pressure-Reducing Hole
- * 100% Leakage Tested At 100 PSI Air Under Water
- * Hydrostatic Test Pressure: 1500PSI
- * Locking Device (Optional)



MATERIAL LIST

NO.	PARTS NAME	MATERIAL	Q'TY
1	SEAT	PTFE	2
2	BALL	316/304	1
3	JOINT GASKET	PTFE	1
4	BODY INSERT	CF8M	1
5	BODY	CF8M	1
6	STEM	316	1
7	THRUST WASHER	PTFE	1
8	STEM PACKING	PTFE	1
9	GLAND NUT	304	1
10	STEM WASHER	304	1
11	STEM NUT	304	1
12	PLASTIC SLEEVE	PVC	1
13	HANDLE	SS 304	1

DIMENSIONS

UNIT : mm

ITEM SIZE	BT-1R				
	A	L	H	S	W(KG)
1/4"	5.0	39	36	61	0.06
3/8"	7.0	44	38	71	0.08
1/2"	9.2	57	44	87	0.17
3/4"	12.5	59	47	89	0.24
1"	15.0	71	50	105	0.44
1 1/4"	20.0	78	55	105	0.65
1 1/2"	24.5	83	69	127	0.87
2"	32.0	100	74	127	1.39
3"	50.0	152	96	190	5.80
2 1/2"	38.0	132	87	190	3.50