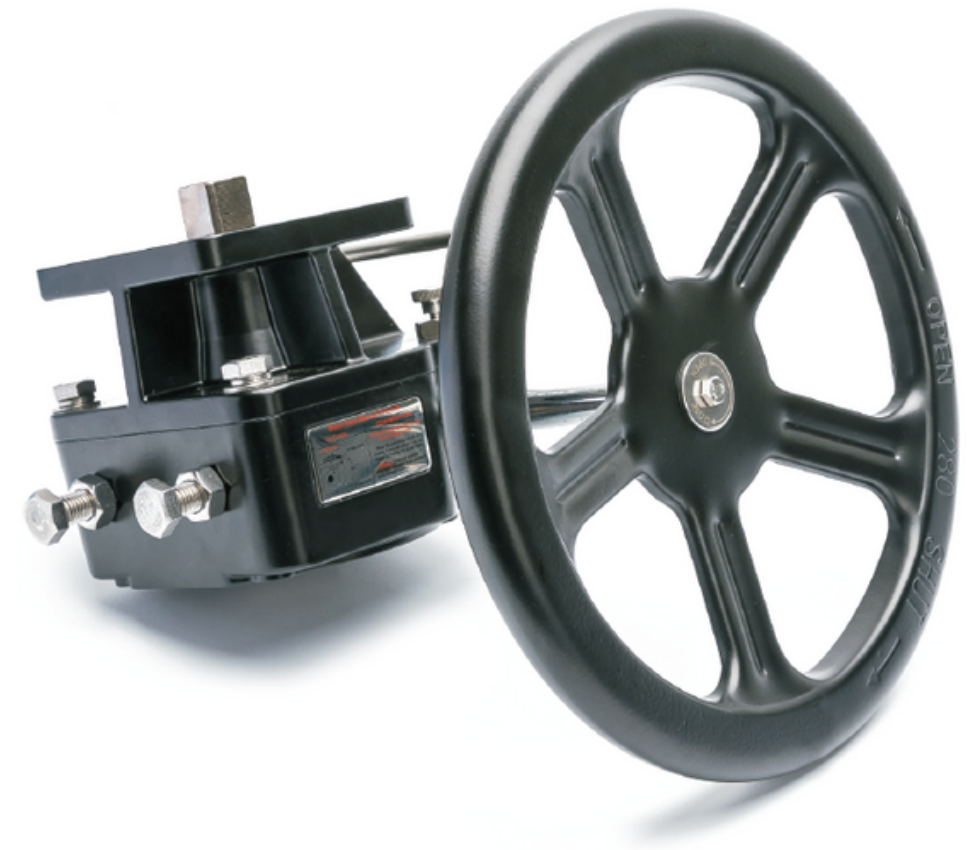


FAMT FLOMATIC

QS

*Intelligent Process Control
Build A Quality*



QS SERIES

VALVE
HANDWHEEL
MECHANISM

ISO 9001

Valve handwheel mechanism is mainly used

The company's products are used in petroleum, chemical, pharmaceutical, water treatment, power plants, nuclear power and other places, for 90 degrees open ball valves, butterfly valves, plug valves and other valves supporting the use of the company's supply of manual clutch can also be used according to customer requirements on the product speed ratio, use temperature, protection level, anti-corrosion level. Adjust customization. The company is based on domestic and international markets, Customers mainly from the Middle East, Europe and the United States and other well-known foreign valve enterprises

Main uses of products

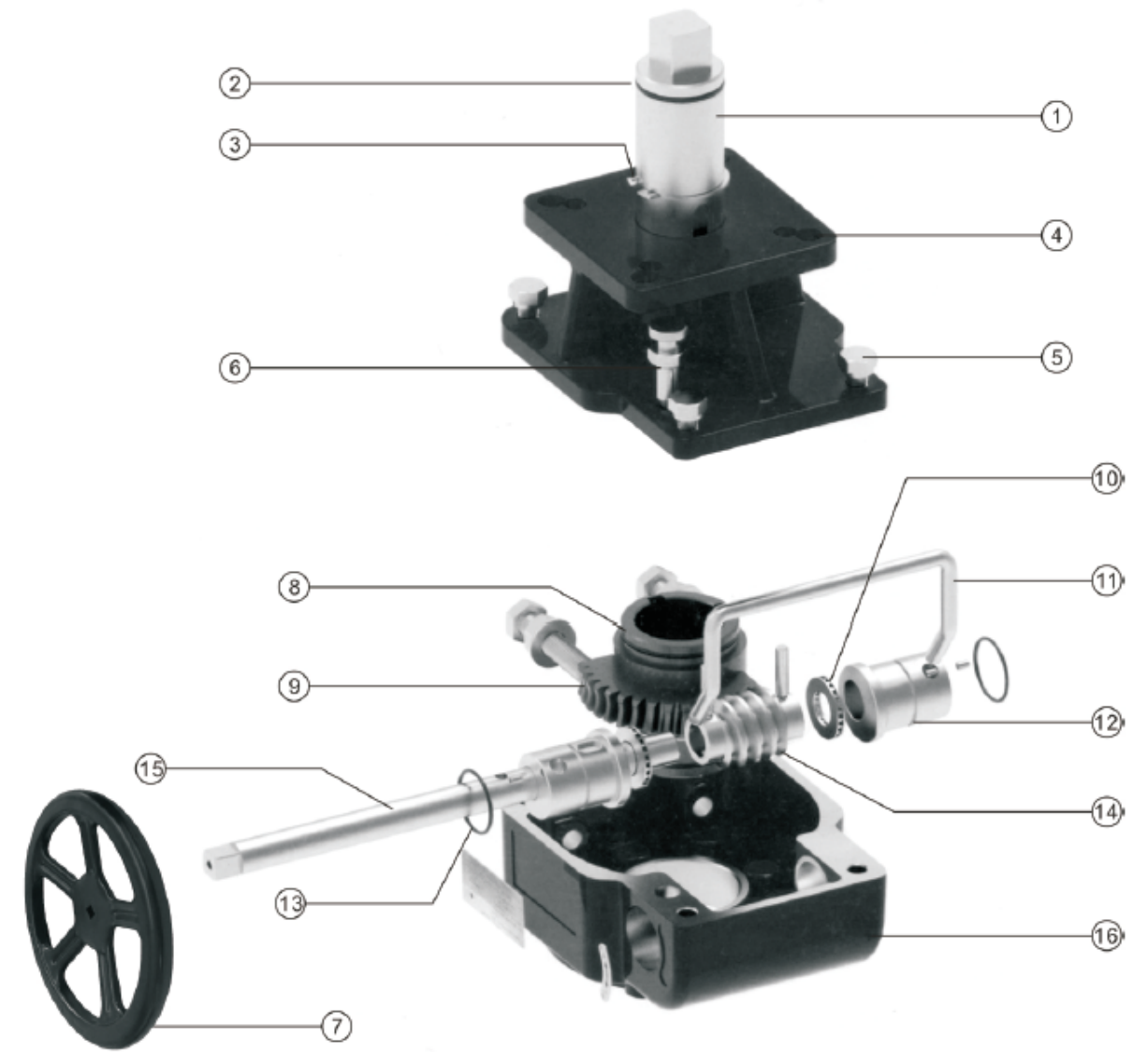
The manual clutch is combined with the pneumatic actuator assembly to realize manual or pneumatic drive for butterfly valves, ball valves, etc. which are opened at 90° degrees.

Characteristic

1. It is small in size , light in weight and reasonable in design
2. Products are serialized and output torque is matched with pneumatic devices
3. Turbine connection holes have two keyways 90 degrees apart so that users can choose the relative position of the device with the valve according to their needs
4. Lifting the limit pulling ring, rotating the eccentric device 90 degree limit pin automatic limit , to achieve pneumatic , otherwise to achieve manual
5. Product factory , equipped with special grease , and valve assembly, the overall seal , dust-proof , waterproof, protection .

Technical parameters

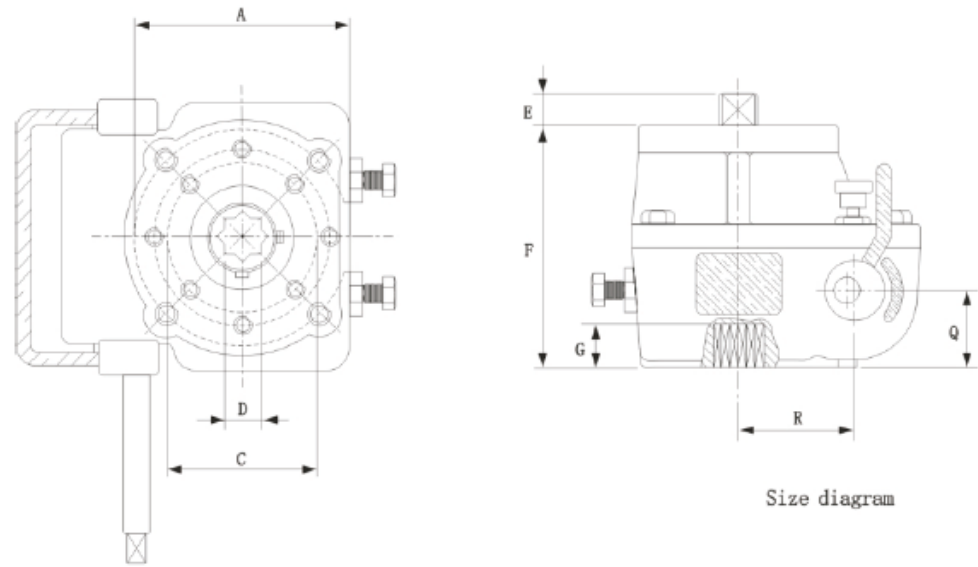
Model	Configuration of actuator		ISO05211 Standard flange				Hand wheel diameter	Speed Ratio	N.m
			Connecting Dimension of actuator		Connecting Dimension of Valves				
	Double Action (DA)	Spring Return (SR)	Center distance	Shaft Hole	Center distance	Shaft Hole			
QS-1	DA50-85	SR50-75	F05/F07	14×14	F05/F07	14×14	180	38:1	180
QS-2	DA95-110	SR85-95	F07/F10	17×17	F07/F10	17×17	200	37:1	320
QS-3	DA125-140	SR110-125	F10/F12	22×22	F07/F10/F12	22×22	280	35:1	680
QS-4	DA160-190	SR140-160	F10/F12 /F14	27×27	F10/F12 or F14	27×27	300	50:1	1200
QS-5	DA210-240	SR190-210	F14 /F16	36×36	F10/F14 or F12/F16	36×36	400	54:1	2100
QS-6	DA270-300	SR240-270	F16	46×46	F16	46×46	500	58:1	3000
QS-7	DA350	SR300	F16	46×46	F16	46×46	600	66:1	3800
QS-320	DA400	SR350-400	F25	55×55	F25	55×55	500	320:1	6600



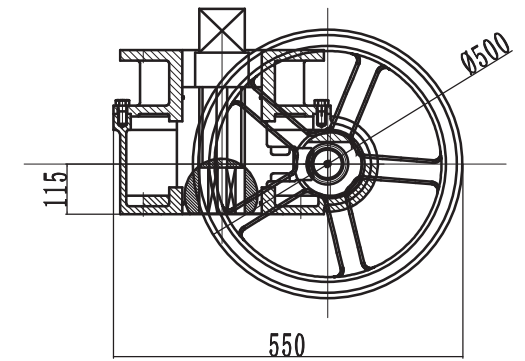
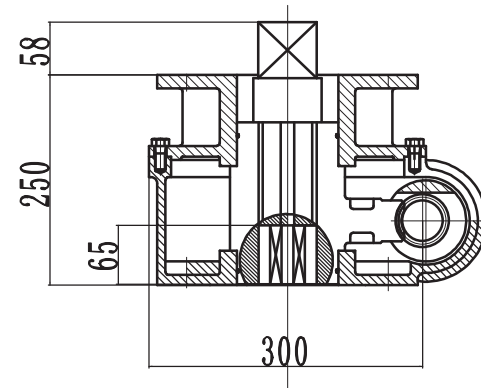
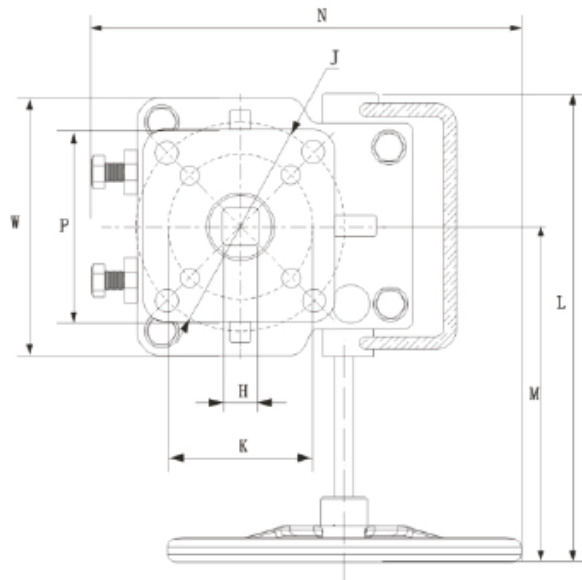
Main components and materials

NO.	Name	Material Science	NO	Name	Material Science
1	Drive spindle	Alloy steel	9	Worm gear	Spheroidal graphite cast iron
2	Seal ring	Nitrile rubber	10	Plane bearing	Alloy steel
3	Reed spring	Alloy Steel	11	Handle	Stainless steel(304)
4	Upper cover	Aluminium alloy	12	Eccentric sleeve	Alloy steel
5	Afastening	Stainless steel(304)	13	Seal ring	Nitrile rubber
6	Positioning pin	Alloy steel	14	Worm	Alloy steel
7	Hand wheel	Carbon steel polyster coating	15	Transmission rod	Alloy steel
8	Seal ring	Nitrile rubber	16	Box	Aluminium alloy

Connecting dimensions of valves

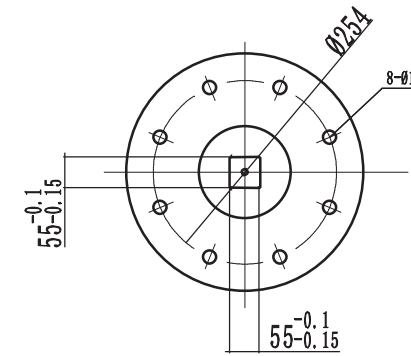


Connecting dimensions of actuate

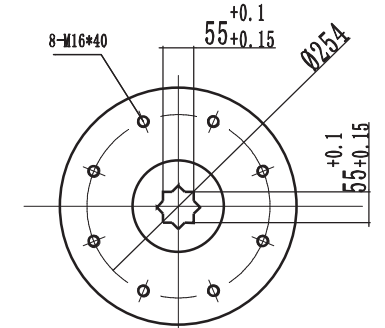


connection size

Specification model	QS-1	QS-2	QS-3	QS-4	QS-5	QS-6	QS-7
A	F07	F10	F12	F12	F14	F16	F16
C	F05	F07	F07/F10	F10	F10	/	/
D	14*14	17*17	22*22	27*27	36*36	46*46	46*46
E	15	18	22	28	38	48	48
F	105	110	130	165	177	192	200
G	16	19	24	29	40	51	51
H	14*14	17*17	22*22	27*27	36*36	46*46	46*46
N	192	185	290	339	436	516	600
W	90	125	140	187	221	252.5	286.5
J	F07	F10	F12	F14	F16	F16	F16
K	F05	F07	F10	F12	F14	/	/
L	190	240	272	358	405	447	525
M	155	180	202	268	295	322	379
P	70	94	113	129	165	165	Ø235
Q	33	36	39	56	58.5	62	65
R	44	54	65	82	109	134	148
Hand wheel outer diameter	Φ180	Φ200	Φ280	Φ300	Φ400	Φ500	Φ600
Reference weight(kg)	3	4.5	7	13.7	22	32	56



Connecting dimensionsof actuator



Connecting dimensions of valves

