

## BT-V3MH type

Size : 1/4" - 4"

SCREWED END

BUTT WELD END

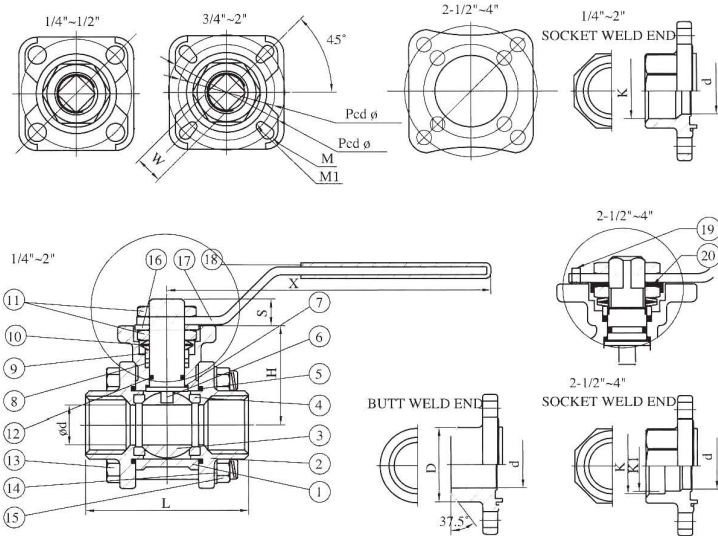
SOCKET WELD END



## DIRECT MOUNTING PAD

STAINLESS STEEL AISI 316 (Din 1.4408)

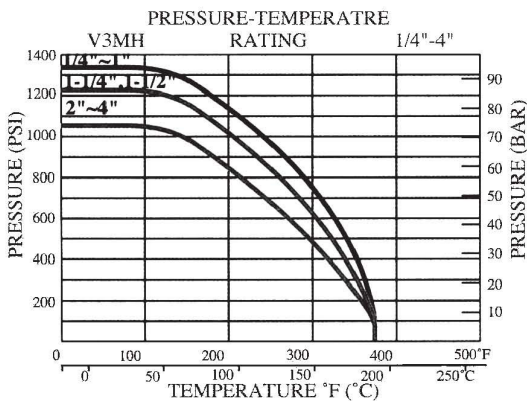
CARBON STEEL S-20C (DIN 1.0619)



## FEATURES:

- \* Pipe thread in accordance with ANSI B2.1, BS21 1973, DIN259/2999, ISO 228
- \* Lug body
- \* Blow-out proof stem/Full port
- \* Investment casting body and cap
- \* 1000PSI (69BAR) W.O.G.
- \* Direct Mounting Pad for ISO Standard 5211
- \* Screwed end, butt weld end, socket weld end.
- \* Material:ASTM-A351-CF8M, ASTM-A351-CF8 & ASTM-A216-WCB
- \* OPTION :  
Similar Design but with C Style clip  
DIN Standard, M3 Length

ITEM	PARTS	QTY	MATERIALS	
			V3MH	V3MH-C
1	BODY	1	ASTM-A351-CF8M	ASTM-A216-WCB
2	CAP	2	ASTM-A351-CF8M	ASTM-A216-WCB
3	BALL	1	ASTM-A351-CF8M	ASTM-A351-CF8M
4	BALL SEAT	2	15% R-PTFE	15% R-PTFE
5	JOINT GASKET	2	15% R-PTFE	15% R-PTFE
6	STEM	1	AISI 316	AISI 316
7	THRUST WASHER	1	15% R-PTFE	15% R-PTFE
8	STEM PACKING	2	15% R-PTFE	15% R-PTFE
9	HIGH WASHER	1	AISI 304	AISI 304
10	BELLEVILLE WASHER	2	AISI 304	AISI 304
11	STEM NUT	2	AISI 304	AISI 304
12	O-RING	1	VITON	VITON
13	BOLT	4	AISI 304	AISI 304
14	SPRING WASHER	4	AISI 304	AISI 304
15	HEX NUT	4	AISI 304	AISI 304
16	STOPPER	1	AISI 304	AISI 304
17	HANDLE	1	AISI 304	AISI 304
18	PLASTIC COVER	1	PLASTIC	PLASTIC
19	STOP PIN	1	AISI 304	AISI 304
20	LOCK WASHER	1	AISI 304	AISI 304



## DIMENSIONS

NOMINAL SIZE	ød	L	H	S	X	ISO-5211				Cv FACTOR	TORQUE kgf-cm	UNIT : mm			
						Pcd ø	W	M	M1			B	D	K	K1
1/4"	11.6	58	36	9.6	112	F03 ø36	9	ø6.0		6.6	45	ø18.1	ø11.6	ø14.1	-
3/8"	12.8	58	36	9.6	112	F03 ø36	9	ø6.0		7.9	45	ø18.1	ø12.7	ø17.6	-
1/2"	15	62	38	9.6	112	F03 ø36	9	ø6.0		11.2	55	ø21.7	ø15	ø21.7	-
3/4"	20	77	41.7	11.6	138	F04 ø42	11	R3.5	R3.0	21	90	ø27.2	ø20	ø27.2	-
						F05 ø50									
						F04 ø42									
1"	25	83	44.4	11.6	138	F05 ø50	11	R3.5	R3.0	34	110	ø34	ø25	ø33.9	-
1-1/4"	32	94	52.8	11.2	205	F07 ø70	14	R4.5	R3.5	57	155	ø42.7	ø32	ø42.6	-
1-1/2"	38	107	58.5	11.2	205	F05 ø50	14	R4.5	R3.5	80	220	ø48.6	ø40	ø48.7	-
						F07 ø70									
						F05 ø50									
2"	50	120	66	11.2	205	F07 ø70	14	R4.5	R3.5	148	330	ø60.5	ø50	ø61.1	-
2-1/2"	65	157	101.5	18.5	330	F07 ø70	17	ø11	ø9.0	265	400	ø76.3	ø65	ø73.8	ø70.9
						F10 ø102									
						F07 ø70									
3"	80	182	112.5	18.5	330	F07 ø70	17	ø11	ø9.0	415	660	ø93	ø80	ø89.8	ø82.5
						F10 ø102									
						F07 ø70									
4"	100	213.6	127.0	18.5	330	F10 ø102	17	ø11	ø9.0	780	900	ø114	ø100	ø115.4	ø108
						F07 ø70									
						F10 ø102									