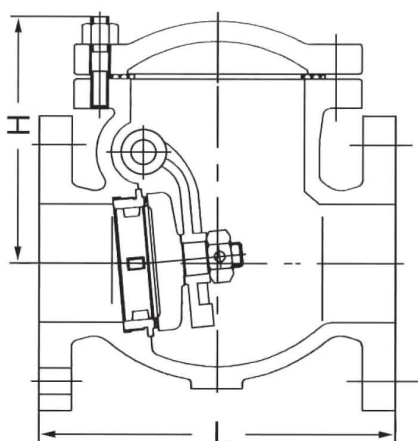


**Check Valve Swing Type**  
**ANSI Class 125/BS5153 PN16**



**Components**

|   |           |                           |
|---|-----------|---------------------------|
| 1 | Body      | Cast iron or Ductile iron |
| 2 | Cover     | Cast iron or Ductile iron |
| 3 | Disc      | Cast iron or Ductile iron |
| 4 | Disc Ring | Cast brass or Cast bronze |
| 5 | Body Ring | Cast brass or Cast bronze |
| 6 | Hinge Pin | Stainless steel to 13%Cr  |



**Application**

- 1 Design according to ANSI B16. 10 Class125 /BS5153 PN16, Flanged and face to ANSI B16. 1 Class125 /BS4504 PN16.
- 2 For water , neutral liquids and oil.
- 3 Coating epoxy paint, 200 um.

**Test**

|                  |                          |
|------------------|--------------------------|
| Working Pressure | 125 PSI / 16 bars        |
| Test Pressure    | Shell 300 PSI / 24 bars  |
|                  | Seat 200 PSI / 17.6 bars |

**Dimensions**

Unit : mm

| DN        | L    | H   | ANSI Class 125 |             |              |          | BS5153 PN16 |             |              |          |
|-----------|------|-----|----------------|-------------|--------------|----------|-------------|-------------|--------------|----------|
|           |      |     | Flange Dia.    | No. of Hole | Dia. of Hole | P. C. D. | Flange Dia. | No. of Hole | Dia. of Hole | P. C. D. |
| 2"        | 203  | 120 | 152            | 4           | 19           | 121      | 165         | 4           | 18           | 125      |
| 2. 1 / 2" | 216  | 135 | 178            | 4           | 19           | 140      | 185         | 4           | 18           | 145      |
| 3"        | 241  | 148 | 191            | 4           | 19           | 152      | 200         | 8           | 18           | 160      |
| 4"        | 292  | 180 | 229            | 8           | 19           | 191      | 220         | 8           | 18           | 180      |
| 5"        | 330  | 205 | 254            | 8           | 23           | 216      | 250         | 8           | 18           | 210      |
| 6"        | 356  | 230 | 279            | 8           | 23           | 241      | 285         | 8           | 23           | 240      |
| 8"        | 495  | 258 | 343            | 8           | 23           | 298      | 340         | 12          | 23           | 295      |
| 10"       | 622  | 391 | 406            | 12          | 25           | 362      | 405         | 12          | 27           | 355      |
| 12"       | 698  | 427 | 483            | 12          | 25           | 432      | 460         | 12          | 27           | 410      |
| 14"       | 787  | 450 | 533            | 12          | 29           | 476      | 520         | 16          | 27           | 470      |
| 16"       | 914  | 486 | 597            | 16          | 29           | 540      | 580         | 16          | 30           | 525      |
| 18"       | 965  | 512 | 635            | 16          | 32           | 578      | 640         | 20          | 30           | 585      |
| 20"       | 1067 | 530 | 699            | 20          | 32           | 635      | 715         | 20          | 33           | 650      |