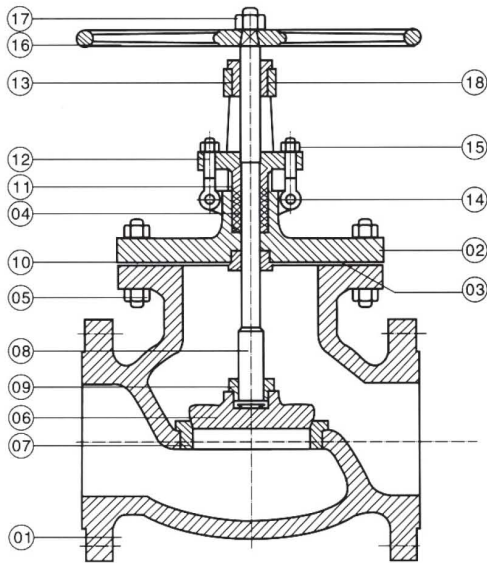


**Class 150~1500 cast steel globe valve**

OS&Y,Rising stem, Plug Disc

Bolted Bonnet, Threaded or welded seat ring

ASTM A216 WCB, A217 WC6, A351 CF8, A351 CF8M, A351 CF3, A351 CF3M, A351 CN7M



**Standards compliance**

Design and Manufacture: ANSI B 16.34, BS 1873

Face to face(end to end):ANSI B16.10

Flanged connection: to ANSI B 16.5

Butt welded end: ANSI B16.25

Test and inspection: API 598

Materials		
NO.	Part name	Material
18	Grub screw	Carbon steel
17	Hand wheel nut	Carbon steel
16	Hand wheel	Carbon steel
15	Eye bolt and nut	A 193 B7/A194 4、 A193 B8/A194 8
14	Pin	Carbon steel/SS
13	Stem nut	A 439–D2/cu–alloy
12	Gland flange	Carbon steel
11	Gland bush	Stain steel
10	Back seat	Stain steel
09	Pisc nut	CS+SS/SS/SS+STL
08	Stem	Stain steel
07	Seat ring	See body material
06	Disc	

NO.	Part name	WCB	LCB	WC6	WC9
05	Stud and nut	A193 Gr B7/A194 Gr 2H	A320 Gr L7/A194 Gr 4	A193 Gr B7/A194 Gr 4/7	A193 Gr B16/A194 Gr 4/7
04	Gland Packing	Graphite	Graphite	Graphite	Graphite
03	Gasket	Spiral wound/Soft Iron	Spiral wound/Soft Iron	Spiral wound/SS304	Spiral wound/SS304
02	Bonnet	A216 Gr WCB	A352 Gr LCB	A271 Gr WC6	A271 Gr WC9
01	Body	A216 Gr WCB	A352 Gr LCB	A271 Gr WC6	A271 Gr WC9

NO.	Part name	C5	C12	CF8	CF8M
05	Stud and nut	A193 Gr B16/A194 G r4/7	A193 Gr B16/A194 Gr4/7	A193 Gr B8/A194 Gr8	A193 Gr B8M/A194 Gr 8M
04	Gland packing	Graphite	Graphite	Graphite	Graphite
03	Gasket	Spiral wound/Soft Iron	Spiral wound/Soft Iron	Spiral wound/SS304	Spiral wound/SS316
02	Bonnet	A217 Gr C5	A217 Gr C12	A351 Gr CF8	A351 Gr CF8M
01	Body	A217 Gr C5	A217 Gr C12	A351 Gr CF8	A351 Gr CF8M