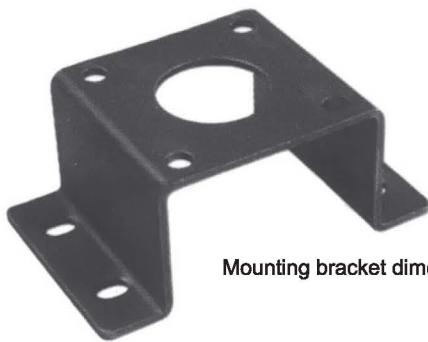
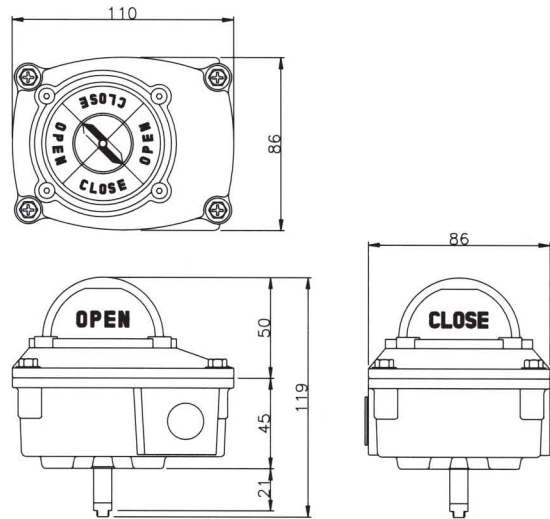


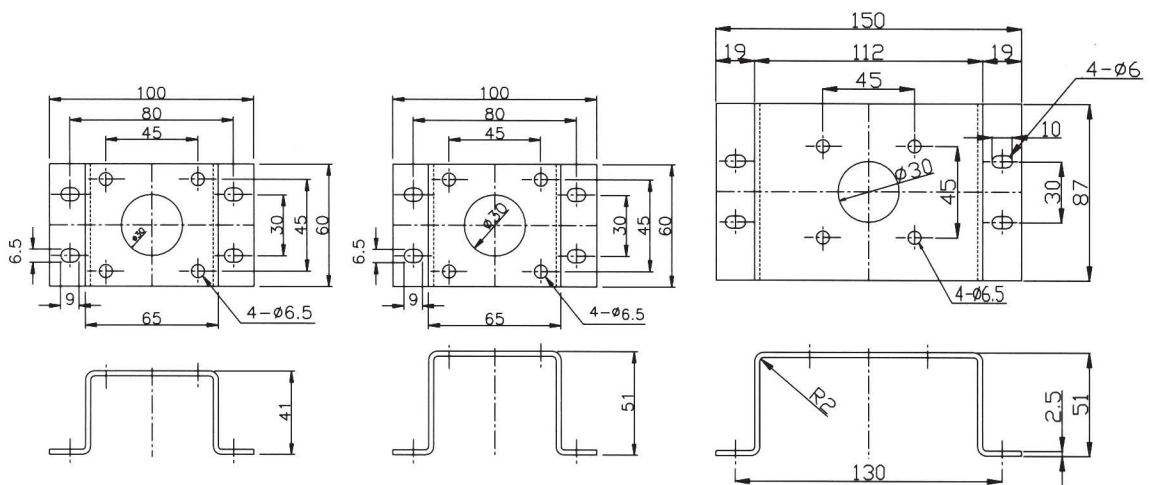
**DIMENSIONS**



Dimension of ITS100 series



Mounting bracket dimension



**MODEL NUMBER LEGEND**

ITS	1	0	0
1=Mini-box (Weather proof)		0=Mechanical Switches	0=2 X SPDT
			1=3 X SPDT
			2=4 X SPDT
			3=2 X SPST
		1=Proximity Sensors	0=PS17-5DNU(Autonics)
			1=NJ2-V3-N(P&F)