

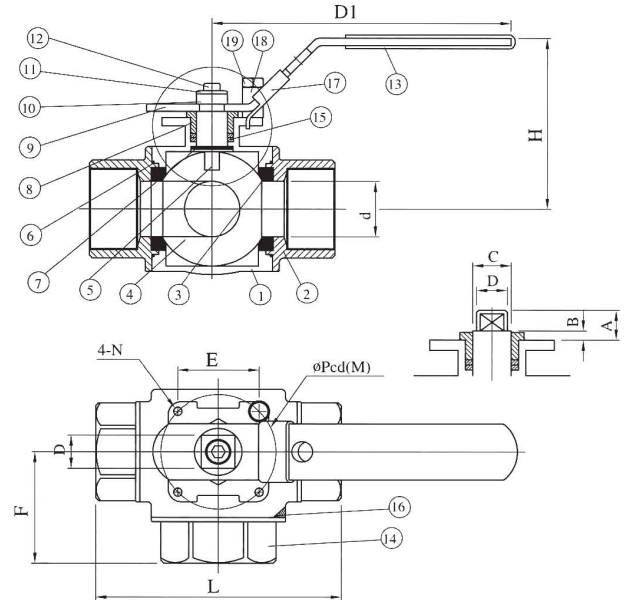
BT-V21 type

Size : 1/4" - 2"

SCREWED END



3-WAY STAINLESS STEEL BALL VALVES WITH MOUNTING PAD, INVESTMENT CASTING

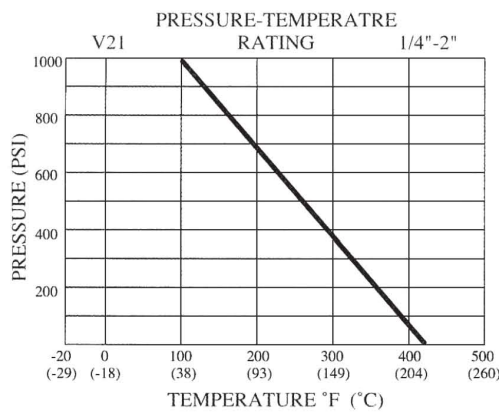


FEATURES:

- * Body & cap in ASTM A351-CF8M, ASTM-A351-CF8, ASTM-A216-WCB
- * Trim in AISI 316
- * Anti-static device
- * Blow-out proof stem, Lever operated.
- * 1000 PSI (69 BAR) W.O.G.
- * L port, T port
- * Locking device
- * OPTION:

Direct Mounting Pad ISO 5211
Mounting pad for ISO 5211

PORT TYPE \ PORT	1	2	3	4
L	1 ⊕ ₃ 2	1 ⊕ ₃ 2	1 ⊕ ₃ 2	1 ⊕ ₃ 2
T	1 ⊕ ₃ 2	1 ⊕ ₃ 2	1 ⊕ ₃ 2	1 ⊕ ₃ 2



ITEM	PARTS	QTY	MATERIALS
1	BODY	1	ASTM A351 CF8M
2	END CAP	2	ASTM A351 CF8M
3	BALL SEAT	4	15% R-PTFE
4	BALL	1	ASTM A351 CF8M
5	STEM	1	AISI 316
6	END SEALS	2	15% R-PTFE
7	THRUST WASHER	1	15% R-PTFE
8	GLAND NUT	1	AISI 304
9	HANDLE	1	AISI 304
10	HANDLE WASHER	1	AISI 304
11	WASHER	1	AISI 304
12	HANDLE NUT	1	AISI 304
13	HANDLE SLEEVE	1	PLASTIC
14	END CAP	1	ASTM A351 CF8M
15	STEM PACKING	2	15% R-PTFE
16	END SEALS	1	15% R-PTFE
17	LOCK	1	AISI 304
18	STOP PIN	1	AISI 304
19	BOLT	1	AISI 304

DIMENSIONS

UNIT : mm

NOMINAL SIZE	d	L	H	D1	A	B	C	D	E	F	M	N
1/4"	11.0	68	58	106	11	6	12	9	29.7	34	42	M5*0.8
3/8"	11.0	68	58	106	11	6	12	9	29.7	34	42	M5*0.8
1/2"	12.7	75	61	138	11	6	12	9	29.7	37.5	42	M5*0.8
3/4"	16.0	86	74	138	13	6	15	11	35.4	43	50	M6*1
1"	20.0	103	81	162	19	7.5	15	11	35.4	51.5	50	M6*1
1-1/4"	25.0	115	88	162	19	7.5	15	11	35.4	57.5	50	M6*1
1-1/2"	32.0	125	104	220	23.5	8.5	15	11	49.5	62.5	70	M8*1.25
2"	38.1	146	110	220	24.5	8.5	18.5	14	49.5	73	70	M8*1.25