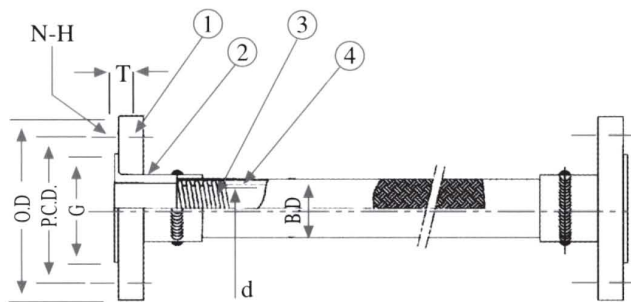
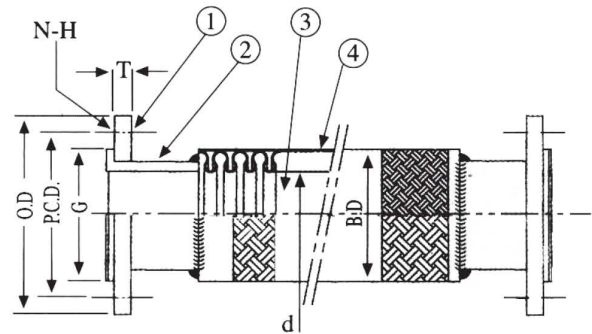


## ACCESSORY TUBES

## AFF 15-50 HB



## AFF 65-150 OB



## CONSTRUCTION

ITEM	PART	MATERIAL
1	FLANGE	JIS, ANSI
2	STUB END	SUS304, SS41
3	TUBE	SUS304
4	BRAID	SUS304

TUBE WELDED ON STUB END.  
FIXED FLANGE ON ONE END  
AND FLOATING ONE ON,  
THE OTHER END.

## SPECIFICATION

NOMINAL BORE		d	B.D.	P.C.D.	G	T	N-H $\phi$	O.D.
A	B							
15	1/2	13.5	19.0	70	52	12	4-15	95
20	3/4	19.0	25.5	75	58	14	4-15	100
25	1	26.0	33.0	90	70	14	4-19	125
32	1-1/4	32.5	41.0	100	80	16	4-19	135
40	1-1/2	38.0	47.5	105	85	16	4-19	140
50	2	50.5	61.5	120	100	16	4-19	155
65	2-1/2	65.5	87.5	140	120	16	4-19	175
80	3	79.5	101.5	150	130	18	8-19	185
100	4	102.5	127.5	160	155	18	8-19	210
125	5	129.5	154.5	210	185	20	8-23	250
150	6	153.5	162.5	240	215	22	6-23	280