

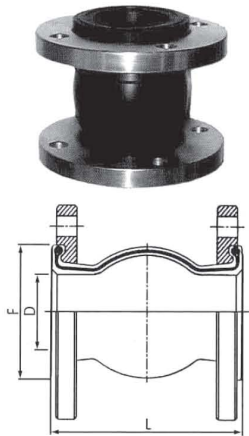
FLOATING FLANGE RUBBER EXPANSION JOINT

Material Specification

Main Body : Polarized Rubber
 Lining : Nylon Cord Fabric
 Frame : Hard Steel Wire
 Flange : Mild Steel

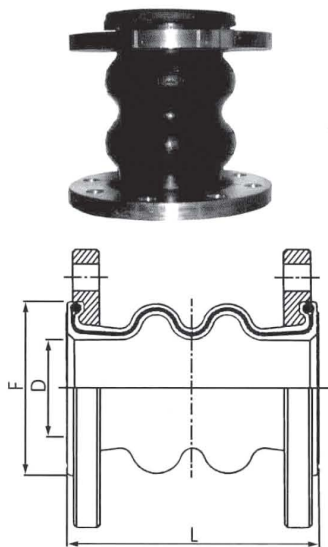
Technical

Working Pressure : 1.5 MPa
 Bursting Pressure : 4.5 MPa
 Vacuity : 86.7 KPa
 Applicable temp : -20~ +115°C



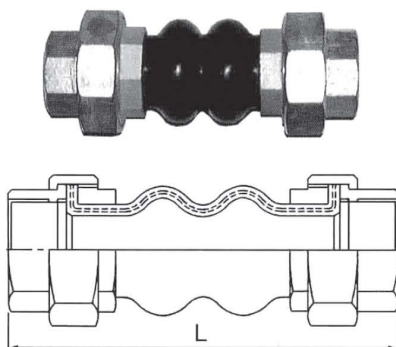
1. Single - Sphere

Size	L	D	F	Axial Compression	Axial Elongation	Transverse Movement	Angular Deflection
40	95	40	69	8%	4%	8%	15Deg
50	105	52	86	8%	5%	8%	15Deg
65	115	68	106	12%	6%	10%	15Deg
80	130	76	116	12%	6%	10%	15Deg
100	135	103	150	18%	10%	12%	15Deg
125	170	128	180	18%	10%	12%	15Deg
150	180	152	209	18%	10%	12%	15Deg
200	205	194	260	25%	14%	22%	15Deg
250	240	250	320	25%	14%	22%	15Deg
300	260	300	367	25%	14%	22%	15Deg



2. Double - Sphere

Size	L	D	F	Axial Compression	Axial Elongation	Transverse Movement	Angular Deflection
40	175	40	69	25%	19%	25%	39Deg
50	175	52	86	25%	19%	25%	30Deg
65	175	68	106	25%	19%	25%	30Deg
80	175	76	116	25%	19%	25%	30Deg
100	225	103	150	32%	25%	32%	30Deg
125	225	128	180	32%	25%	32%	30Deg
150	225	152	209	32%	25%	32%	30Deg
200	325	194	260	35%	25%	35%	30Deg
250	325	250	320	35%	25%	35%	30Deg
300	325	300	367	35%	25%	35%	30Deg



3. Twin - Sphere Union

Size	L	Installed Length	Axial Compression	Axial Elongation	Transverse Movement	Angular Deflection
20	165	150 ~ 169	22%	6%	22%	45Deg.
25	172	155 ~ 175	22%	6%	22%	45Deg.
32	176	160 ~ 179	22%	6%	22%	45Deg.
40	182	165 ~ 185	22%	6%	22%	45Deg.
50	212	196 ~ 215	22%	6%	22%	45Deg.
65	224	207 ~ 227	22%	6%	22%	45Deg.
80	226	209 ~ 229	22%	6%	22%	45Deg.