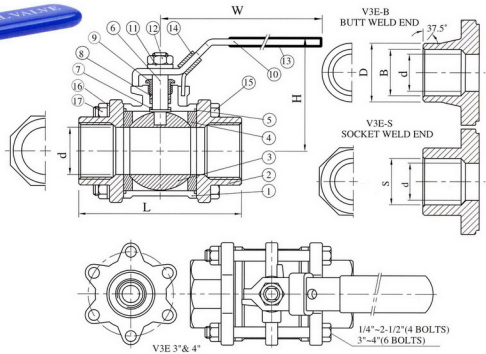
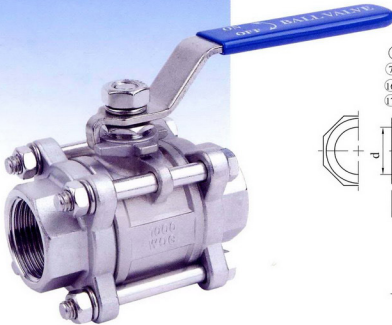


BT-V3E TYPE

SIZE: 1/4" - 4"

SCREWED END
BUTT WELD END
SOCKET WELD END

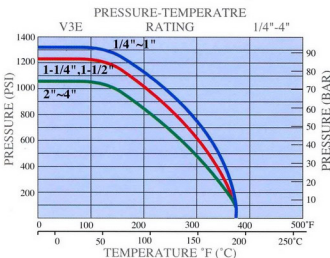
STAINLESS STEEL AISI 316 (DIN 1.4408) CARBON STEEL S-20C (DIN 1.0619)



FEATURES:

- *Pipe thread in accordance with ANSI B2.1, BS 21 1973, DIN 259/2999, ISO 228
- *Lug body
- *Blow-out proof stem/Full port
- *Investment casting body and cap
- *1000 PSI (69 BAR) W.O.G.
- *Material: ASTM-A351-CF8M, ASTM-A351-CF8, ASTM-A216-WCB
- *OPTION: Locking device

ITEM	PARTS	QTY	MATERIALS	
			V3E	V3E-C
1	BODY	1	ASTM-A351-CF8M	ASTM-A216-WCB
2	CAP	2	ASTM-A351-CF8M	ASTM-A216-WCB
3	BALL	1	ASTM-A351-CF8M	ASTM-A351-CF8M
4	BALL SEAT	2	15% R-PTFE	15% R-PTFE
5	JOINT GASKET	2	15% R-PTFE	15% R-PTFE
6	STEM	1	AISI 316	AISI 316
7	THRUST WASHER	1	PTFE	PTFE
8	STEM PACKING	2	PTFE	PTFE
9	GLAND NUT	1	AISI 304	AISI 304
10	HANDLE	1	AISI 304	AISI 304
11	STEM WASHER	1	AISI 304	AISI 304
12	STEM NUT	1	AISI 304	AISI 304
13	PLASTIC COVER	1	PLASTIC	PLASTIC
14	LOCK DEVICE	1	AISI 304	AISI 304
15	BOLT	4-6	AISI 304	AISI 304
16	SPRING WASHER	4-12	AISI 304	AISI 304
17	HEX NUT	4-12	AISI 304	AISI 304



DIMENSIONS

UNIT:mm

NOMINAL SIZE	d	L	H	W	B	D	S	Cv FACTOR	TORQUE kg-cm	KGS
1/4"	11.6	54	51	95	12	18	14.1	6.6	40	0.34
3/8"	12.7	54	51	95	12.52	18	17.6	7.9	40	0.31
1/2"	15	61.5	55	95	15.8	22	21.7	11.2	54	0.46
3/4"	20	71	58.5	110	20.93	28	27.2	21	74	0.62
1"	25	83.5	73	135	26.64	34	33.9	34	104	0.96
1-1/4"	32	97	78.5	135	35.05	44	42.6	57	135	1.49
1-1/2"	38	110.5	90.5	165	40.9	50	48.7	80	180	2.09
2"	50	129	99	165	52.5	61.5	61.1	148	250	3.12
2-1/2"	65	171.5	127	215	69	76	76.9	265	480	6.50
3"	80	200	136	215	82	90	89.8	415	750	10.42
4"	100	252	172	325	106	115	115.4	780	1100	20.20