

## Ball Valve brass nickle cloated

**MODEL:** STA1005

### Technical Parameters :

Nominal pressure : PN 2.5MPa

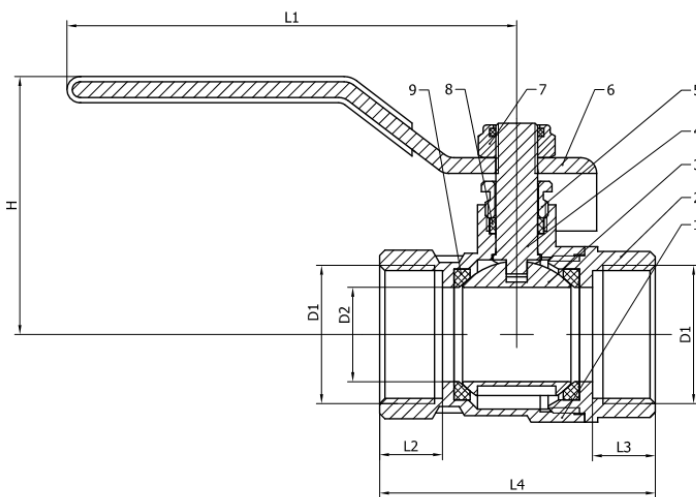
Nominal Diameter : DN15-DN100

Using Temperature : -10 °C - 120°C

Connection / Thread Standard : ISO228-1

### Material

No.	Name	Material
1	Body	HPb57-3
2	Cap	HPb57-3
3	Ball	HPb57-3
4	Stem	HPb57-3
5	Gland	HPb57-3
6	Handle	Q235
7	Nut	Q235
8	Stem sealing	PTFE
9	Ball sealing	PTFE



### Dimension

	D1	D2	H	L1	L2	L3	L4
G1/2"	G1/2"	φ14	46	86	11	11	46
G3/4"	G3/4"	φ18	50	86	12	12	51.5
G1"	G1"	φ23	56	99.5	14	14	63
G1 1/4"	G1 1/4"	φ27	62	120.5	14	13	69
G1 1/2"	G1 1/2"	φ36	75	150	15	15	80.5
G2"	G2"	φ43	89	150	16.5	16	91
G2 1/2"	G2 1/2"	φ58	113	223	22	23	122
G3"	G3"	φ69	125	223	24.5	24.5	138
G4"	G4"	φ79	140	223	26	24.5	151